

TAKSTAR® 得胜



MS-580USB | 会议麦克风  
CONFERENCE MICROPHONE

# MS-580USB Conference Microphone

---

## ■ Preface

Dear Customer,

Thank you for purchasing TAKSTAR MS-580USB Conference Microphone. Please read the user manual carefully before use and keep it for future reference.

If you have any questions or suggestions, please contact our local dealer.

## ■ Features

- Built-in USB sound card chip to make the microphone compatible with systems like Windows, Mac OS and Kirin
- Driver-free design for plug and play
- Unidirectional capsule for long-distance pickup
- Accurate positioning for clear sound without noise
- Double gooseneck construction for flexible positioning to pick up sound from all directions
- 3.5 mm interface for more flexible configuration by connecting to a headphone for monitoring or a speaker for sound source output
- Volume adjustment knob to adjust the volume based on the venue
- Mute switch to turn on or off the sound signal at any time and easy to use
- Operating indicator to show the working state of the microphone clearly
- Non-slip rubber pad on the bottom to prevent the microphone from sliding and to reduce the impact of desktop vibration

## ■ Product content

Conference microphone	1pc
User manual	1pc

# MS-580USB Conference Microphone

---

## ■ Specifications

Power Supply: USB (DC 5V/100mA)

Data Transmission: USB 2.0

Sample Rate: 48KHz

Bit Rate: 16bit/24bit

Frequency Response: 60Hz-18KHz

Polar Pattern: Unidirectional

Sensitivity:  $-9 \pm 3\text{dB}$

Max SPL:  $\geq 110\text{dB}$  (at 1KHz, 1%THD)

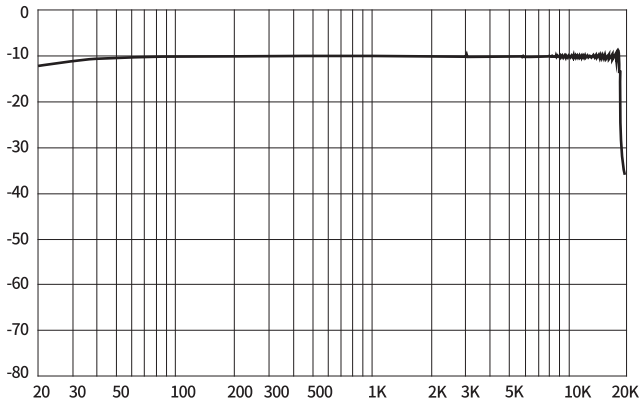
S/N Ratio: 62dB (A-weighted)

Headphone Output Peak Power:  $\geq 20\text{mW}$  (32 $\Omega$  load)

Headphone Output Distortion:  $\leq 0.5\%$

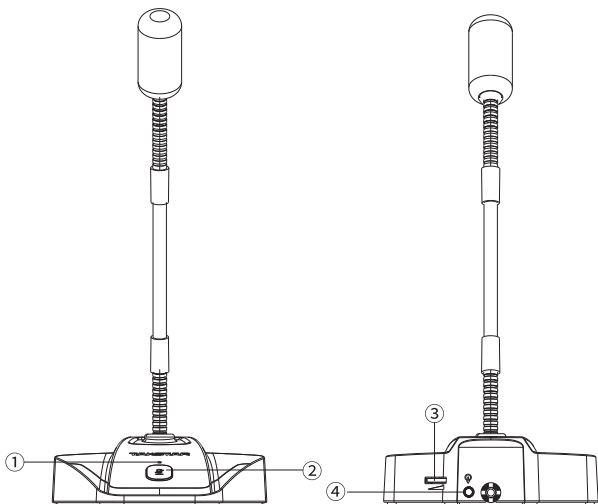
Note: The data is tested by Takstar Laboratory, and Takstar has the final interpretation right!

### Frequency response graph



### ■ Function instructions

- ① Mute indicator: The mute indicator lights up green when the microphone is picking up sound, and lights off when the microphone is muted.
- ② Mute switch: Press it to mute or unmute the microphone. The microphone is muted initially and the indicator is off. When you press the mute switch, the indicator lights up green and the microphone starts picking up sound. When you press the mute switch again, the indicator lights off and the microphone is muted.
- ③ Volume adjustment knob: When the microphone is picking up sound, turn the knob counterclockwise to increase the microphone volume gradually and turn it clockwise to decrease the microphone volume gradually.
- ④ 3.5 mm interface: Connect to a headphone or an active speaker.



## MS-580USB Conference Microphone

---

### ■ Applications

Conferences, video calls, game talks, screen recording, live broadcasting

### ■ Operation instructions

- ① Connect the microphone to a computer via a USB cable. The computer will identify the microphone and complete the driver installation automatically.



## MS-580USB Conference Microphone

---

### ② Driver settings:

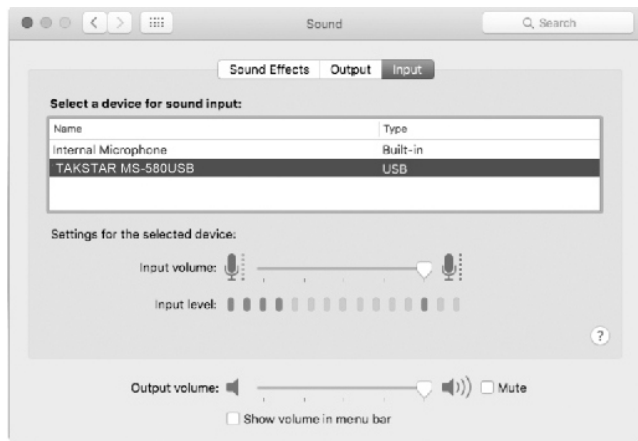
Windows: Set the "Recording" device "TAKSTAR MS-580USB" of the system speaker as the default device.



## MS-580USB Conference Microphone

---

Mac OS: Enter the sound settings under the System Preference Device, and select "TAKSTAR MS-580USB" as the input device.



- ③ Connect a headphone or an active speaker to the 3.5 mm interface on the back of the microphone.
- ④ Open the video conference software, instant messaging software or recording software for video conferences, voice chat, network broadcasting, etc. (As for the Windows system, if the sound of the computer recording is too loud, you can lower the recording volume of the recording device or adjust the volume knob on the microphone to lower the volume.

### ■ Troubleshooting

- I The indicator does not light up when the microphone is turned on or the sound produced by the microphone cannot be monitored.
1. Check whether the USB plug of the microphone is properly connected to the USB interface of the computer. If not, unplug it and try again.
  2. Check whether the headphone is properly connected to the 3.5 mm interface of the microphone. If not, unplug it and try again.
  3. When the microphone is connected to a computer, you need to turn on the "Recording" device of the system speaker, and select "Monitor the device" in the properties tab of the "TAKSTAR MS-580USB" device.
- II The sound of the microphone cannot be recorded or the recording volume is too low.
1. When the microphone is connected to a computer for use, check whether the microphone volume of the "TAKSTAR MS-580USB" device is too low. If yes, adjust the volume to see whether it goes back to normal.
  2. Check whether the volume adjustment knob has set the volume to a very low level. If yes, turn the knob counterclockwise to see whether the volume goes back to normal.
- III There is acoustic feedback when the microphone is connected to a speaker.
1. If the software or the audio equipment has the echo cancellation function, please turn it on.
  2. Turn the pickup part of the microphone away from the active speaker while keeping a proper distance.
  3. Lower the microphone volume or the output volume of the speaker.

### ■ Safety instructions

To avoid possible personal injury or property damage caused by electric shock, high temperature, fire, radiation, explosion, mechanical hazards, and improper use, please read and observe the following items before using the product.

1. When using the product, please adjust the volume of the device to a proper level. Do not use it for a long time when the volume is high to avoid product failure and hearing damage.
2. If there is any abnormality (such as smoke, odor, etc.) during use, please turn off the power switch and unplug the power plug immediately, and then send the product to the dealer for maintenance.
3. The product and accessories should be placed indoors in a dry and ventilated place. Do not store them in a humid and dusty environment for a long time. Keep the product away from fire, rain, water, excessive collision and avoid throwing, vibrating the product or covering its ventilation holes during use, so as not to damage its function.
4. If the product needs to be fixed on the wall or ceiling, please make sure to fix it in place.
5. When using the product, you must abide by the relevant safety regulations. Please do not use the product in the occasions that are clearly prohibited by laws and regulations to avoid accidents.
6. Please do not disassemble, refit or repair the product by yourself to prevent personal injury. If you have any questions or service needs, please contact the local dealer.

### ■ About the meaning of icon



This symbol indicates that according to the WEEE Directive (2012 / 19 / EU) and national laws, this product should not be disposed of together with your household waste, and should be returned to an authorized recycling station of electrical and electronic equipment (WEEE) for recycling, because this type of waste has potential harmful substances that may have a negative impact on the environment and human health. Meanwhile, when this product is disposed of properly, it is conducive to the effective use of natural resources. For more information on where you can place your waste recycling equipment, please contact your local City Office, Waste Management Bureau or Household Waste Treatment Service Department.

## 注意事项：

1. 本单为保修凭证，请用户妥善保管，如有遗失，恕不保修或退换。
2. 保修期限制：购买之日起十二个月内。
3. 除了不可抗力事件损坏外，由本公司负责，免费维修。
4. 如属保管不善或使用不当造成的损坏，维修点将酌情收费。
5. 擅自拆卸维修者，不予保修。
6. 以上保修条款仅限于中国市场适用（不含港澳台地区）。

# 产品服务保证书

姓名：\_\_\_\_\_ 电话：\_\_\_\_\_ 地址：\_\_\_\_\_

商品：\_\_\_\_\_ 型号：\_\_\_\_\_ 购买日期：\_\_\_\_\_ 年 \_\_\_ 月 \_\_\_ 日

维修记录栏 (由维修员填写)	维修员签名	日期

◆广东得胜电子有限公司 ◆电话：400-6828-333 ◆地址：广东省惠州市博罗县龙溪街道富康一路2号



扫一扫，了解更多产品  
Scan for more  
product information

## **广东省电声工程技术研究开发中心 广东得胜电子有限公司制造**

地址：广东省惠州市博罗县龙溪街道富康一路2号

服务热线：400 6828 333 传真：0752 6383950

邮箱：xs@takstar.com

网址：www.takstar.com

Guangdong Takstar Electronic Co., Ltd.

Address: No. 2 Fu Kang Yi Rd., Longxi Boluo  
Huizhou, Guangdong 516121 China

Tel: 86 752 6383644 Fax: 86 752 6383952

Email: sales@takstar.com

Website: www.takstar.com